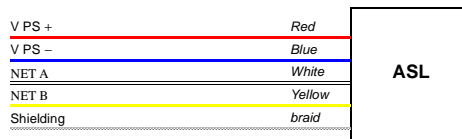




Description

The measurement principle on which the ASL load cell is based is the deformation of beams subjected to a compression force. It uses strain gauges arranged to form a Wheatstone bridge for conversion of a force into an electrical signal. The ASL load cell is specially designed to be insensitive to excentric loads, while remaining compact.

Wiring



Application

- % Weighbridges
- % Weighing of tanks, silos, etc.

Available models

- % ASL 30 t : 3 500 d (C3.5)
- % ASL 30 t Ex* : 3 500 d - C3.5
- % ASL 50 t : 3 000 d (C3)
- % ASL 50 t Ex* : 3 000 d - C3

General

The ASL load cell is a compression load cell based on single column technology particularly suitable for weighing applications on weighbridges.

It is made of stainless steel and is compact, and sealed under prolonged immersion (IP 68).

Conformity

- % SDM test certificate No. 00.09 according to OIML R60.

Ex Options

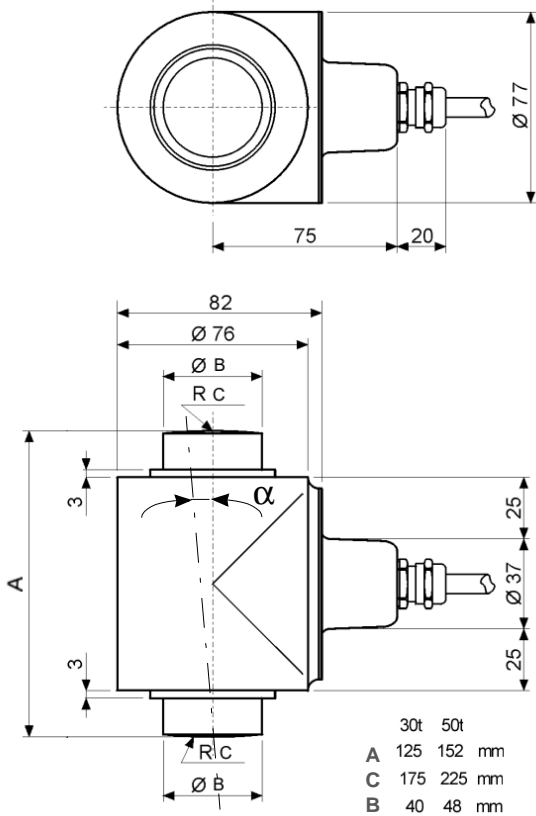
Ex version for use in gas and dusty zones according to the new directive 94/09/CE. EEx d II C T6 II 2 G/D.

CE type certificate No. LCIE 02 ATEX 6084.

* Enhanced safety junction box essential.



Dimensions



α : Allowed maximum angle of inclination : 5°.

% Mass 3.3 kg env

Metrological characteristics

| Accuracy class* | | C3.5 | C3 |
|-----------------------------|---------------------|------|------|
| Maximum range | E_{max} | t | 30 |
| Minimum dead load | E_{min}/E_{max} | % | 3,3 |
| Verification interval ratio | $Y=E_{max}/V_{min}$ | | 5217 |
| | | | 5200 |

* The C3 and C3.5 accuracy classes are conform with international recommendation OIML R60.

Electrical characteristics

% DC power supply voltage 24V

% Shielded cable with black PVC jacket :

- \varnothing outside 6,6 mm
- Length 15 m
- Minimum radius of curvature 40 mm

Environmental characteristics

- % Temperature range
 - Recommended - 10 °C / + 40 °C
 - Storage - 20 °C / + 70 °C
- % Sealing and protection according to DIN 40-050 IP 68

Mechanical characteristics

- % Load limit 150% E_{max}
- % Breaking load 300% E_{max}

Options

Standard marking

PRECIA MOLEN ASL X970-C
(modèle)
SDM N°00.09 N°XXXXXX
IP68
Fabriqué en 200X

Ex Version making

CE 0081 II 2 G/D
EEx d IIC T6
LCIE 02 ATEX 6084 T80°C
PRECIA MOLEN
BP106 07000 PRIVAS FRANCE
NE PAS OUVRIR SOUS TENSION

Your weighing specialist

Illustrations are not contractual. Precia-Molen reserves the right to modify at any time, without prior notice, the information contained in this leaflet.

Offices and Factory
P.O. Box 106 - F 07000 Privas - France
Tel. 33 (0) 475 664 600
Fax 33 (0) 475 658 330
E-MAIL webmaster@preciamolen.com

RCS : 386 620 165 RCS Aubenas

PRECIA MOLEN™