

Application

- Weighing of silos, hoppers and vessels of medium and high capacity.
- Especially suitable for weighing vessels that are agitated or subject to major thermal forces.

Description

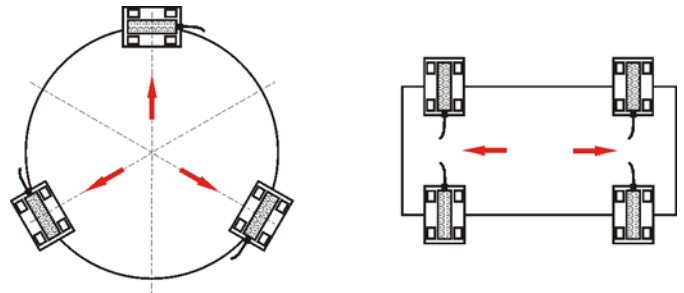
The DSL load cell is manufactured in stainless steel and is hermetically sealed to IP 68.

The characteristics of the double-ended shear beam load cell, together with its mounting arrangement "Silo Load Mount", ensure it is not influenced by the lateral forces associated with vessels with agitators.

The load mount allows thermal expansion and includes an anti-lifting device.

The mount also features a locking device that enables it to be installed without the load cell fitted eliminating the risk of mechanical or electrical damage to the load cell during vessel installation.

Typical Application

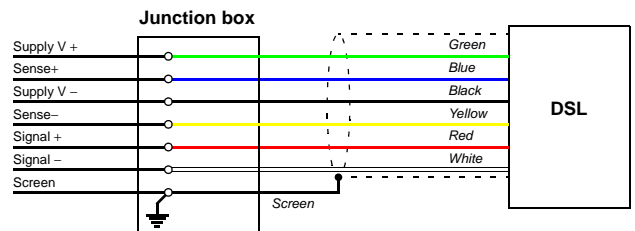


Correct positioning of load mounts to avoid thermal forces.

Available Models

Type	Capacity (Nc)	Minimum division	Maximum load	Safe load limit
DSL 5 t	5 t	0.5 kg	7.5 t	10 t
DSL 10 t	10 t	1 kg	15 t	20 t
DSL 20 t	20 t	2 kg	30 t	40 t
DSL 30 t	30 t	3 kg	45 t	60 t
DSL 50 t	50 t	5 kg	75 t	100 t
DSL 75 t	75 t	7.5 kg	112.5 t	150 t
DSL 100 t	100 t	10 kg	150 t	200 t

Cabling



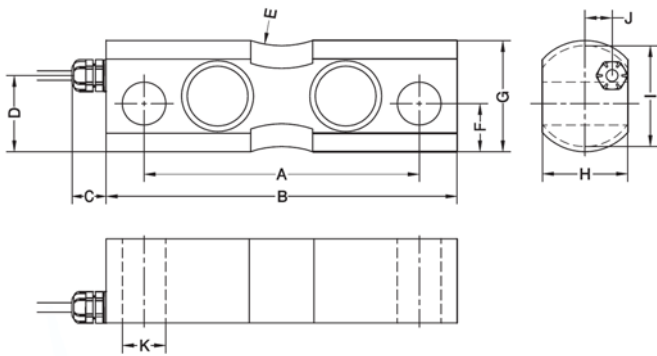
- PVC 6 core screened cable
 - Ø ext. 6 mm
 - Length 12 m

Options

- ATEX version for use in hazardous areas.
- Dummy load cell (only required for outdoor installation).
- Set of alignment shims (if the number of load points is ≥ 4).



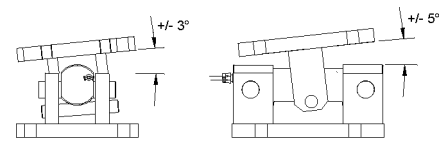
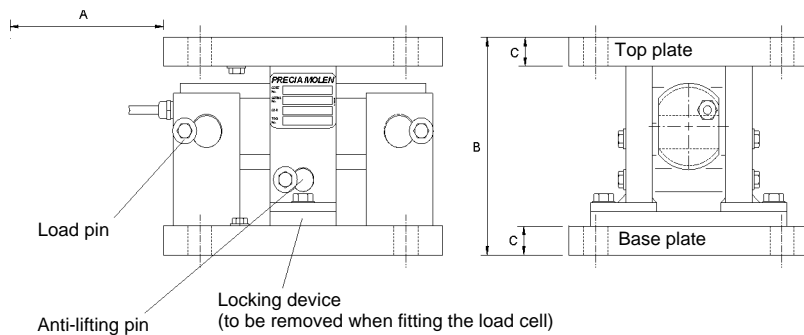
Load Cell Technical data



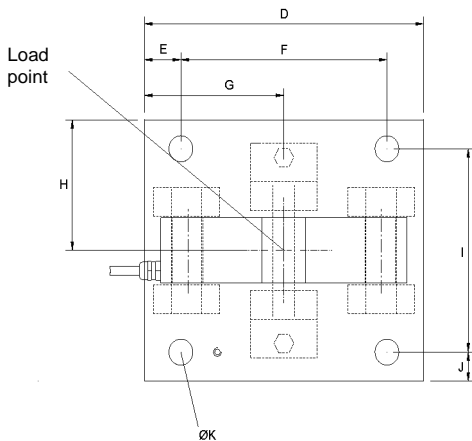
- Max. number of divisions3000
- Sensitivity (Sn)2 mV/V $\pm 0.1\%$
- Total error $< \pm 0.017\%$ Sn
- Repeatability error..... $< \pm 0.015\%$ Sn
- Creep error (30 min.) $< \pm 0.015\%$ Sn
- Initial zero range: $< \pm 2\%$ Sn
- Temperature drift
 - Zero $< \pm 0.01\%$ Sn/5° C
 - Sensitivity..... $< \pm 0.006\%$ Sn/5° C
- Max. deflection (at Nc)0.6...1 mm
- Supply voltage1 to 15 V
- Input impedance800 ± 30
- Output impedance.....700 ± 3
- Insulation resistance> 5000 M
- Temperature
 - Compensation Range-10° / +40° C
 - Operating range.....-30° / +70° C

Nc	A ⁽ⁱ⁾	B	C	D	E	F	G	H	I	J	K	Weight
5...20 t	145	185	16	41	50	25,7	59,5	45	54	14	23	3.2 kg
30...50 t	220	285	16	48	50	29,7	74,5	60	65	22	30	8 kg
75...100 t	260	340	16	66	50	37,2	99,5	80	90	32	50	14.3 kg

Load Mount Technical data



Angular movement of the top plate



A : Minimum clearance for fitting load cell.
K : 4 holes in the top and lower plates.

Note : Complete protection against lifting is only provided when the load cell is fitted.

Nc	A ⁽ⁱ⁾	B	C	D	E	F	G	H	I	J	K	Max. transverse offset	Max. lifting force	Max. lateral force
5...20 t	250	150	20	210	27,5	155	105	90	140	20	18	± 5	9000 kg	4550 kg
30...50 t	300	195	25	300	62,5	175	150	110	175	22,5	22	± 5	21000 kg	8600 kg
75...100 t	350	255	30	370	75	220	185	150	220	40	26	± 10	34000 kg	12000 kg

(i) All dimensions are in mm.

Your weighing specialist

Illustrations are not contractual. Precia-Molen reserves the right to modify at any time, without prior notice, the information contained in this leaflet.

Offices and Factory
P.O. Box 106 - F 07000 Privas - France
Tel. 33 (0) 475 664 600
Fax 33 (0) 475 658 330
E-MAIL webmaster@preciamolen.com
RCS : 386 620 165 RCS Aubenas

PRECIA
MOLEN™