



Application

Discontinuous Totaliser

Bulk weighing of products during loading, unloading, silo transfer, transhipment phases, etc.

Available models

Model	Capacity (m ³ /h)	Capacity* (t/h)	Air cons. (m ³ /h)	Aspiration** (m ³ /h)
ABS-X 003	27	20	10	300
ABS-X 004	40	30	10	300
ABS-X 007	67	50	15	350
ABS-X 015	133	100	20	400
ABS-X 020	200	150	30	500
ABS-X 027	267	200	30	500

* Flow calculated for a product with a bulk density of 0.75 t/m³.

** Connection to a compulsory dust extraction system.

Characteristics

General characteristics

- Operated by the I 400 ABS controller with transmitter mounted on the scale.
For further information please refer to technical data sheet 04-32-60 FT.
- For products with bulk densities of 0.30 to 0.90 t/m³.
- For trade use applications (provision in discharge circuit for material tests must be made).
- Temperature range: - 10° to + 40°.
- Painted steel finish.

Technical characteristics

The scale construction ensures :

- robust operation,
- accuracy of measurement,
- low maintenance.
- Gates mounted on ball bearing pivots.
- Operated by standard electro-pneumatic control valves.
- Weigh hopper supported directly on load cells without lever system.
- Simple calibration and checking due to the integral test weight racks.

The automatic bulk scale ABS-X is designed for process weighing of dry granular free-flowing products, such as cereals.

Together with an I 400 ABS controller it performs the function of a discontinuous totaliser.

It is easy to install and maintain due to its simple and robust design, low build-in height and cross section.

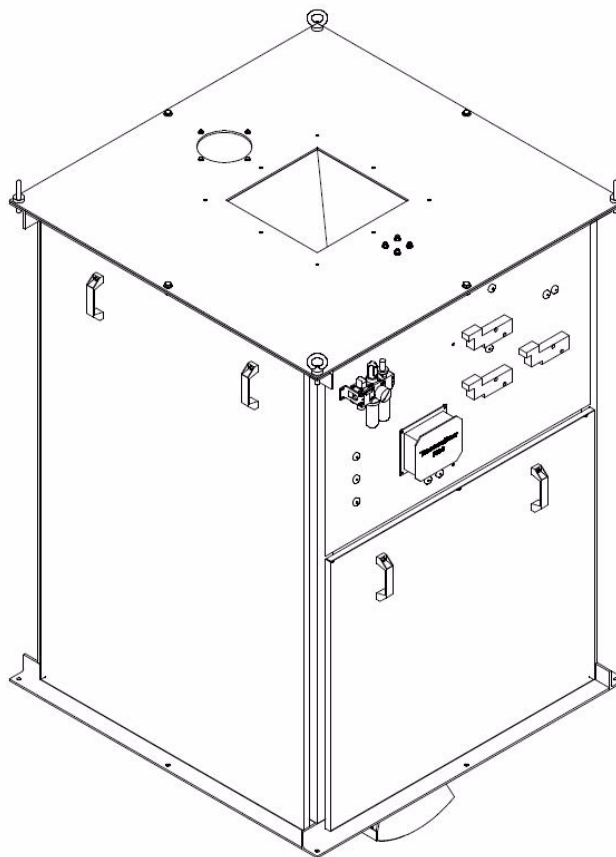
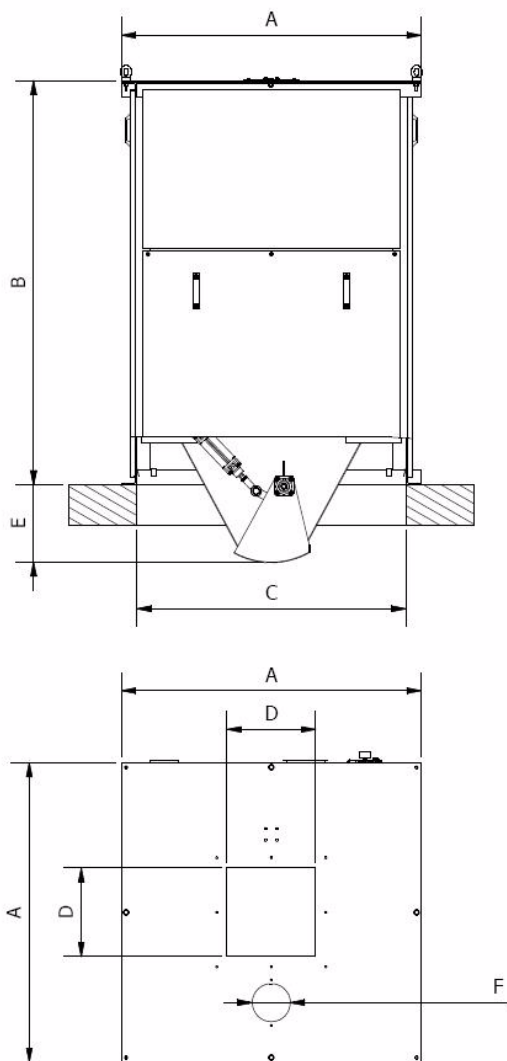
Description

The scale housing is fixed to the floor or support structure; it supports and encloses both feed and weigh hoppers.

- A gravity feed hopper fitted with feed gate*.
- A weigh hopper, mounted on load cells fitted with a discharge gate.

The weighing cycle is controlled by the I 400 ABS system which operates the gates by means of electro-pneumatic valves.

* Segment type



Model	A (mm)	B (mm)	C (mm)	D (mm)	E (mm)	F (mm)	Weight (kg)
ABS-X 003	1053	1326	933	300	–	150	290
ABS-X 004	1053	1326	933	300	–	150	295
ABS-X 007	1053	1326	933	300	160	150	310
ABS-X 015	1182	1596	1062	350	306	150	430
ABS-X 020	1480	2108	1344	500	–	150	942
ABS-X 027	1480	2568	1344	500	–	150	1060

Options & Accessories

Full or partial stainless steel version



Upper - and lower hopper level control



Explosive atmosphere



* Other zones on request.

Your weighing specialist



Illustrations are not contractual. Precia-Molen reserves the right to modify at any time, without prior notice, the information contained in this leaflet.

Offices and Factory
 P.O. Box 106 - F 07000 Privas - France
 Tel. 33 (0) 475 664 600
 Fax 33 (0) 475 658 330
 E-MAIL webmaster@preciamolen.com
 RCS : 386 620 165 RCS Aubenas

