



Mild Steel Version (R4 F PP)



Stainless Steel Version (R4 FS PP-S)

Area of use

Specially designed for weighing pallets, the R4 Access Pallet Scale range receptors are equipped with 4 shear beam load cells for optimum reliability and precision.

The R4 Access Pallet Scale receptors are available in two capacities, i.e. 600 and 1,500 kg, and two versions:

Mild Steel (R4 F PP)

- ▣ Mild steel structure (hammer finish).
- ▣ Nickel steel load cells.
- ▣ Protection IP 54.

Stainless Steel (R4 FS PP-S)

- ▣ Stainless steel structure and load cells.
- ▣ Protection IP 65.

The R4 Access Pallet Scale receptors can be used with a large number of indicators in the PRECIA MOLEN range for controlled use up to 1,500 increments (Trade Use)* or for internal use up to 15,000 divisions (Non-Trade Use).

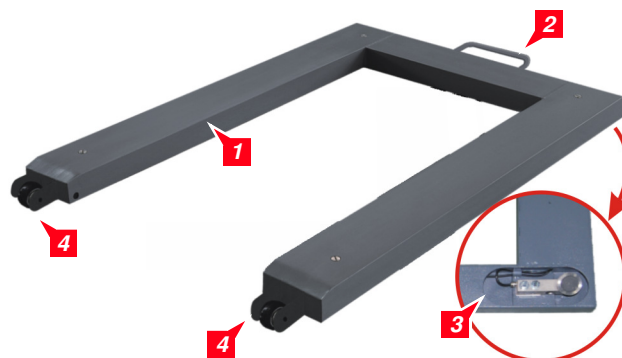
European conformity

- ▣ According to the definition of a conventional load receptor in accordance with guide WELMEC 2.4.

Standard scope of supply

The R4 Access Pallet Scale range receptors are delivered with a 4-m cable for connection to the associated indicator.

General presentation



1. Mild steel (R4 F PP) or stainless steel (R4 FS PP-S) construction.
2. Handle.
3. Load cell with damper and adjustable foot.
4. Castor wheels.

Available models

Available models for both versions:

- ▣ R4 Access Pallet Scale - Mild Steel (R4 F PP)
- ▣ R4 Access Pallet Scale - Stainless Steel (R4 FS PP-S)

Capacity	Increment	ML ⁽ⁱ⁾
600 kg	200 g	×
600 kg	500 g	●
1 500 kg	500 g	×
1 500 kg	1000 g	●

(i) Approved for trade use.

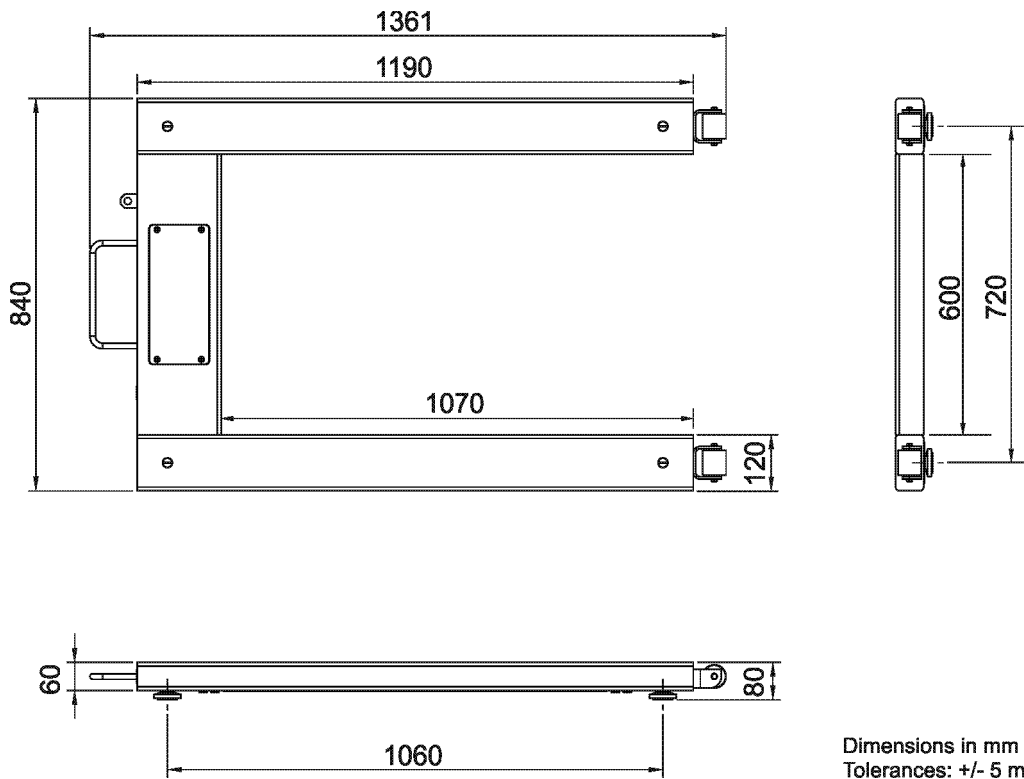
* R4 F PP only.

Dimensions – Metrological characteristics (Legal Metrology)

Capacity (kg)	e (g)	Load cell		Height		Feet pitch (mm)	Weight ⁽ⁱ⁾ (kg)
		Capacity (kg)	Y = Emax / Vmin	min. (mm)	max. (mm)		
600	500	500	10 000	75	90	720 x 1060	38,5
1,500	1000	1,000	10,000	75	90	720 x 1060	38,5

(i) Package weight.

NOTE: the mechanical strength of all models is equal to the max. capacity.



Dimensions in mm
Tolerances: +/- 5 mm

Your weighing specialist

Illustrations are not contractual. Precia-Molen reserves the right to modify at any time, without prior notice, the information contained in this leaflet.

Offices and Factory
P.O. Box 106 - F 07000 Privas - France
Tel. 33 (0) 475 664 600
Fax 33 (0) 475 658 330
E-MAIL webmaster@preciamolen.com
RCS : 386 620 165 RCS Aubenas

PRECIA
MOLEN™