



Mild Steel Version (R4 F PP)



Stainless Steel Version (R4 FS PP-S)

Area of use

Specially designed for weighing pallets, the R4 Access Pallet Scale platform scales are equipped with 4 shear beam load cells for optimum reliability and precision.

The R4 Access Pallet Scale platform scales are available in two capacities, i.e. 600 and 1,500 kg, and two versions:

Mild Steel (R4 F PP)

- ▼ Mild steel structure (hammer finish).
- ▼ Nickel steel load cells.
- ▼ Protection IP 54.

Stainless Steel (R4 FS PP-S)

- ▼ Stainless steel structure and load cells.
- ▼ Protection IP 65.

The R4 Access Pallet Scale platform scales can be used with a large number of indicators in the PRECIA MOLEN range for controlled use up to 1,500 increments (Trade Use)* or for internal use up to 15,000 divisions (Non-Trade Use).

European conformity

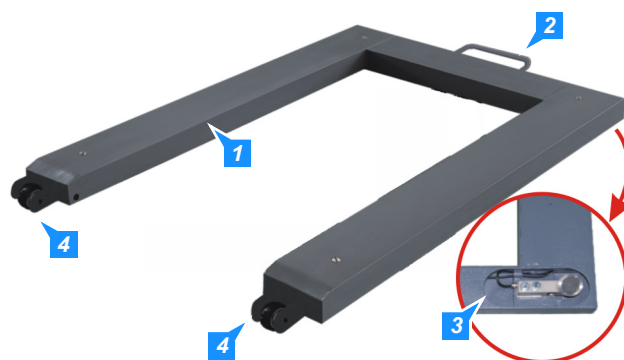
- ▼ According to the definition of a conventional platform scale in accordance with guide WELMEC 2.4.

Standard scope of supply

The R4 Access Pallet Scale range platform scales are delivered with a 4-m cable for connection to the associated indicator.

* R4 F PP only.

General presentation



1. Mild steel (R4 F PP) or stainless steel (R4 FS PP-S) construction.
2. Handle.
3. Load cell with damper and adjustable foot.
4. Castor wheels.

Available models

Available models for both versions:

- ▼ R4 Access Pallet Scale - Mild Steel (R4 F PP)
- ▼ R4 Access Pallet Scale - Stainless Steel (R4 FS PP-S)

Capacity	Increment	ML*
600 kg	200 g	×
600 kg	500 g	●
1 500 kg	500 g	×
1 500 kg	1000 g	●

* Approved for trade use.

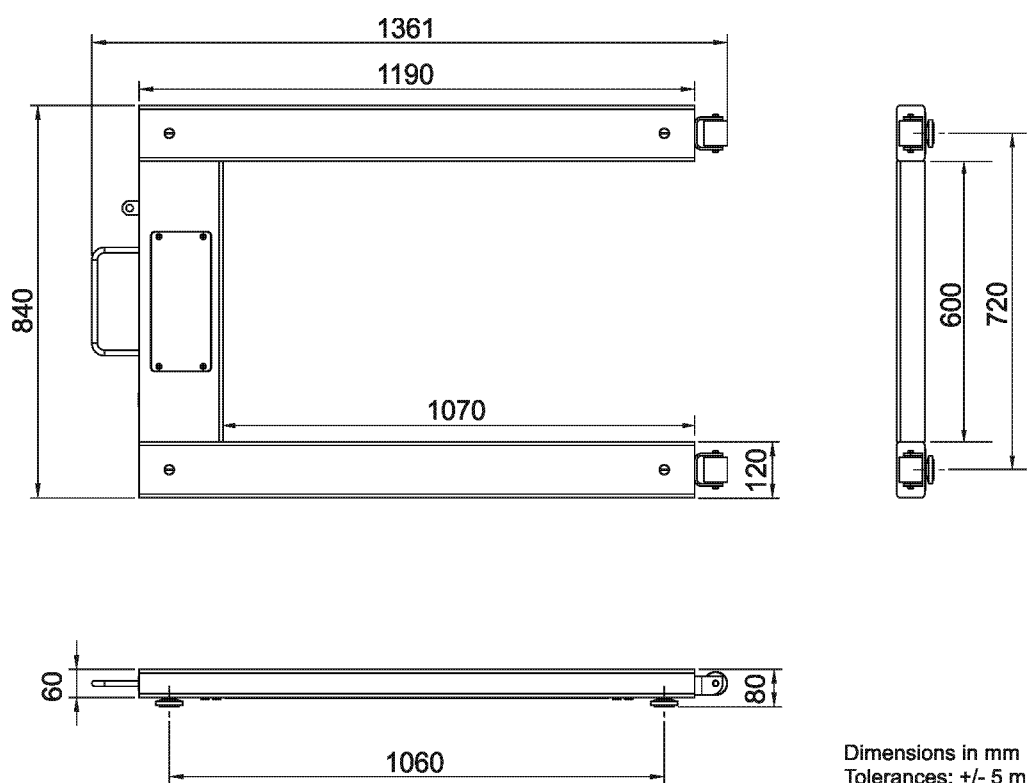
Technical characteristics

Dimensions – Metrological characteristics (Legal Metrology)

Capacity (kg)	e (g)	Load cell		Height		Feet pitch (mm)	Weight* (kg)
		Capacity (kg)	Y = Emax / Vmin	min. (mm)	max. (mm)		
600	500	500	10 000	75	90	720 x 1060	38,5
1,500	1000	1,000	10,000	75	90	720 x 1060	38,5

* Package weight.

NOTE: the mechanical strength of all models is equal to the max. capacity.



Your specialist

Illustrations are not contractual. Precia-Molen reserves the right to alter the characteristics of the equipment described in this brochure at any time.

PRECIA-MOLEN Headquarters & Factory
 BP 106 - 07000 Privas - France
 Tel. 33 (0) 475 664 600
 Fax 33 (0) 475 664 330
 E-MAIL webmaster@preciamolen.com

RCS: 386 620 165 RCS Aubenas

**PRECIA
MOLEN™**
WORLDWIDE WEIGHING