



Presentation

The CA-400 access control terminal enables opening a barrier or a doorway upon presentation of a contact-free badge. It integrates a graphic display, an RFID reader, digital Inputs/Outputs, an Ethernet link.

The Ethernet link in TCP/IP mode enables a master system to manage vehicle accesses to any site that is likely to have a controlled Input/Output service.

Besides, PRECIA MOLEN offers its PCS-LAN software, an access control PC software, coupled or not with the weighing.

The CA-400 access control terminal is the perfect tool for on-site access management for Cars (C), Lorries (L) or C/L.

Functional characteristics

- ▼ Display of customised messages (Show Badge, Authorised Badge, Refused Badge, Exceeded Quota, Saturated Site..).
- ▼ Sending of events towards the hosting system (Use of numbered badges).
- ▼ Activation of configured outputs by the hosting system, for example:
 - Activation of a horn in case of a professional badge (corporate),
 - Opening of a barrier.
- ▼ The access control (TCP/IP address) is configured using a PC keyboard connected in the cabinet.

Technical characteristics

Hardware characteristics

Communication

- 100 Mbits/s RJ 45 Ethernet link
- TCP/IP protocol

Digital Inputs / Outputs

- 2 inputs to activate by dry contact (barrier presence)
- 3 relay outputs (barrier, horn,...)

Screen

- 5 " graphical screen
- Red backlighting

Badge reader (option)

- RFID (125 kHz or Mifare)

Intercom (option)

- Analog or VOIP
- Call button

80 dB Horn (option)

- With call button

Environmental characteristics

Power supply

- Mains voltage 88 - 264 V AC
- Frequency 50 Hz ± 1 Hz
- Consumption 15 VA

Temperature range

- In operation -10°C / + 50°C
- In storage -20°C / + 60°C

Waterproofness

- Storage / Operation IP 54

Physical characteristics

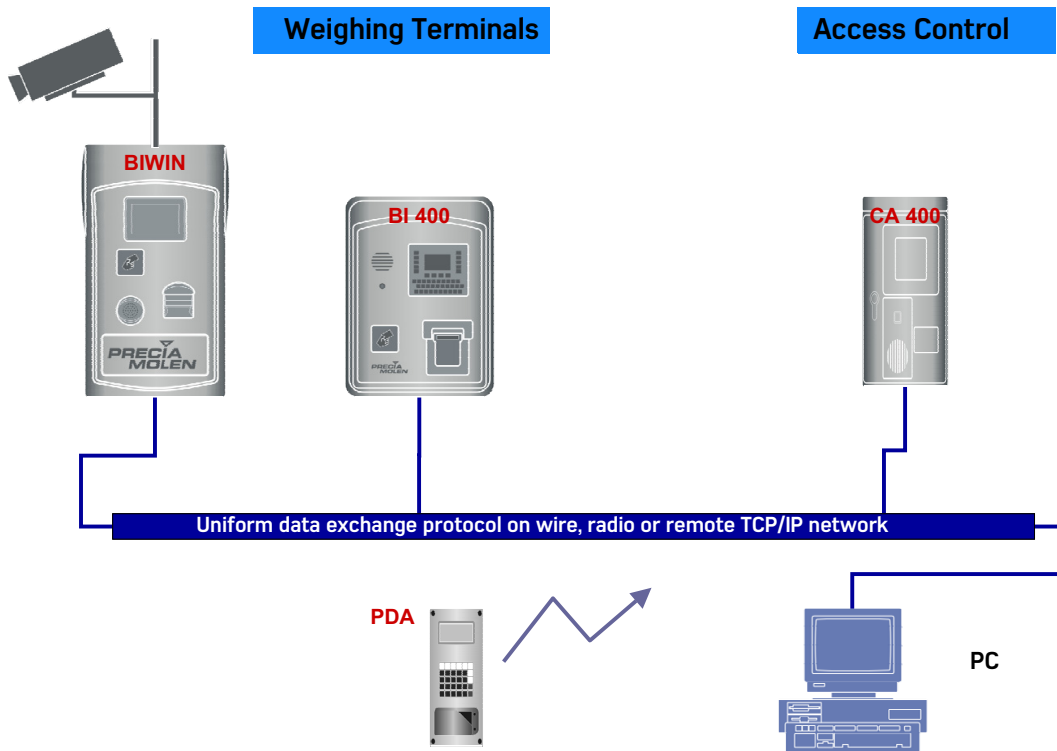
Painted cabinet (3-mm thick)

- RAL 3020 epoxy paint
- Secured opening by key
- Car height 1100 mm
- Lorry height 2200 mm
- Width 270 mm
- Depth 350 mm
- Fitted with a sun/rain protection visor
- Simplified ground fastening (anti theft)
- 20, 50, or 110 cm raising
- Weight 34 kg

European conformity

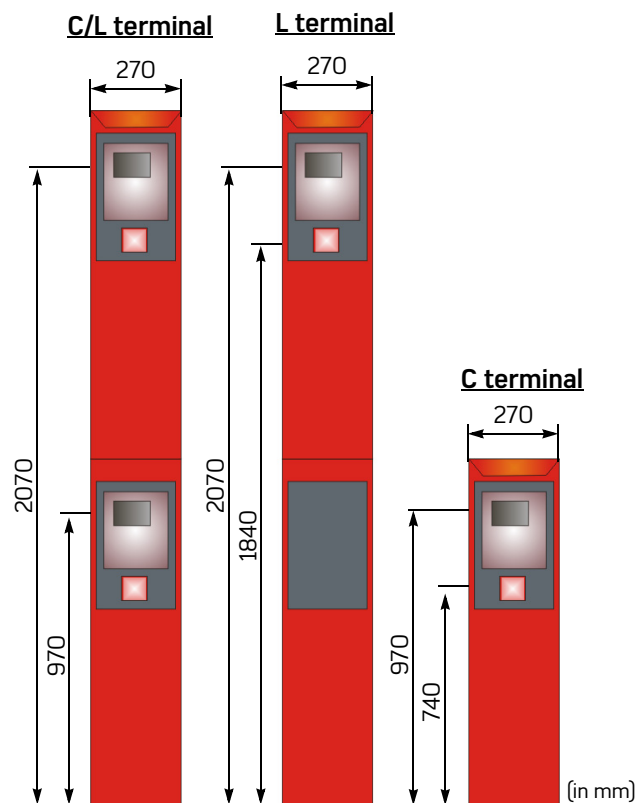
- ▼ 2004/108/CE Directive relative to *Electromagnetic Compatibility*.
- ▼ 2006/95/CE Directive relative to *Low Voltage Equipment*.

Diagram

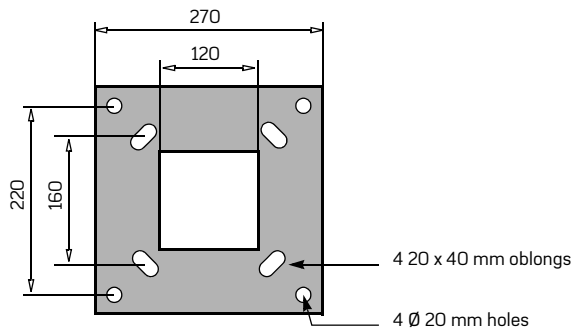


Suitable for a complete range of weighing, access control and video surveillance equipment and software.

Dimensions:



Fastening shoe:



Your specialist

Illustrations not contractual. Precia-Molen reserves the right to alter the characteristics of the equipment described in this brochure at any time.

PRECIA-MOLEN Headquarters & Factory
 BP 106 - 07000 Privas - France
 Tel. 33 (0) 475 664 600
 Fax 33 (0) 475 664 330
 E-MAIL webmaster@preciamolen.com

RCS: 386 620 165 RCS Aubenas

**PRECIA
 MOLEN™**
 WORLDWIDE WEIGHING