

# I 410 Cabinet

For bulk weighing or dosing applications



## Scope of use

The I 410 bulk cabinet has been designed to integrate the electronics of the I 410 range and one of the following software.

### Automatic weighing or dosing application software available:

#### ▼ I 410 BS

Single or multiple channel continuous weighing application that integrates the weight measurement and the belt speed.

#### ▼ I 410 WBF

Single or multiple channel continuous dosing application that includes the weight measurement and the belt speed as well as the flow regulation function.

#### ▼ I 410 ABS

Discontinuous weighing application to control and monitor a non constant weighing belt scale.

#### ▼ I 410 GFS

Weigh belt feeding application to control and monitor gross or net weighing weigh belt feeder.

#### ▼ I 410 LIW

Loss in weight application to control and monitor a loss in weight feeder.

## Application

This cabinet is particularly adapted to use in harsh conditions.

Its IP 65 water sealing and glazed door efficiently protect the instruments that are fastened on the back panel and the inside door.

This product suits all the following activity sectors:

- extraction industry (ores, aggregates, coal ...),
- mineral industry (phosphate, fertilizers, cement ...),
- agribusiness (cereals, bagasse, sugar ...),
- chemical industry (salts, PVC, detergents ...),
- wood industry, biomass, recycling, crushing...

## General presentation

The cabinet is made up of a full, per-drilled back panel that allows fastening several electronic components depending on the selected application.

It also has a swivelling inside door. This door hosts:

1. a panel-mounted I 410 terminal,
2. a waterproof USB stick support,
3. a metal sheet pre-cutting that enables mounting a P140 printer available as an option.

The I 410 terminal can be either equipped of an Azerty or Qwerty digital or alphanumeric keyboard.

The outside door that is fitted with a lock and transparent window displays the data that appear onto the screen of the I 410 terminal.

It encloses an internal 24 V DC power supply.

The lower sheet includes 6 glands that allow the passage of 6 to 12-mm diameter cables. The cable shield connections are ensured by a dedicated grounding bar.

The cabinet can be easily powered off using the switch on its outer left part.

### Coating or Paint

The I 410 bulk cabinet comes in 2 versions:

- ▼ RAL 7035 Grey painted steel.
- ▼ 304L stainless steel (double lock).

## Electrical features:

• Voltage: .....	100-240 V AC
• Power: .....	60 VA
• Frequency: .....	50-60 Hz
• Short circuit intensity: .....	≤ 10 kA
• Neutral system: .....	TT, TN, IT

## Dimensions and weight

Mild steel and stainless steel cabinet:

Length: .....	400 mm
Height: .....	500 mm
Depth: .....	200 mm
Weight: .....	≈ 20 kg
Protection index: .....	IP 65

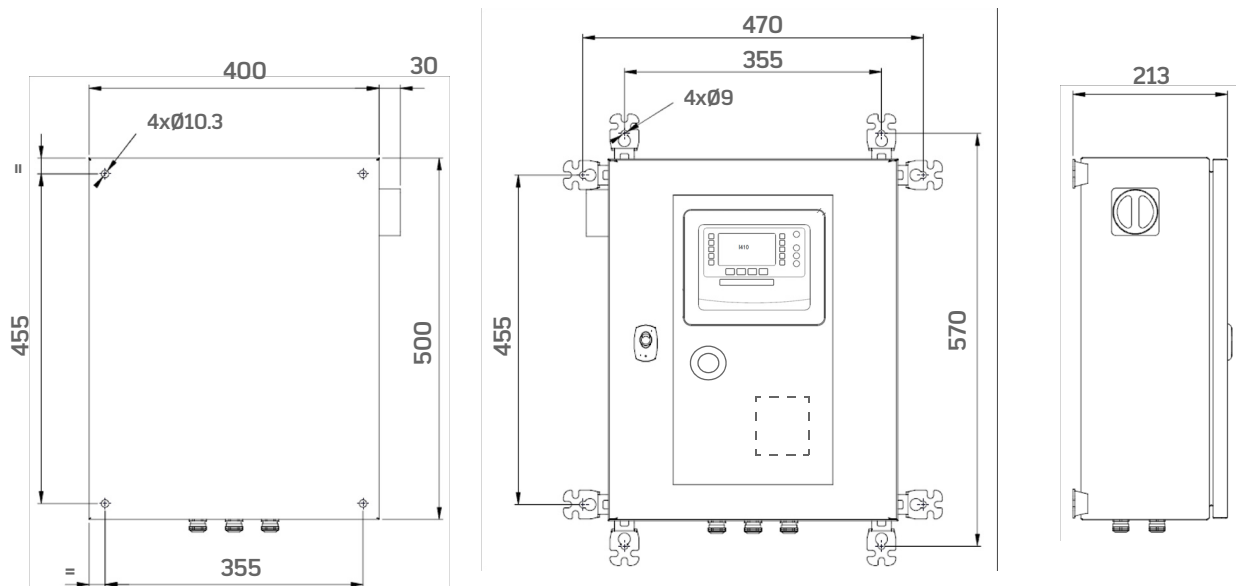
## Conformity

- ▼ Low Voltage Directive 2006/95/CE
- ▼ Electromagnetic Compatibility Directive 2004/108/CE

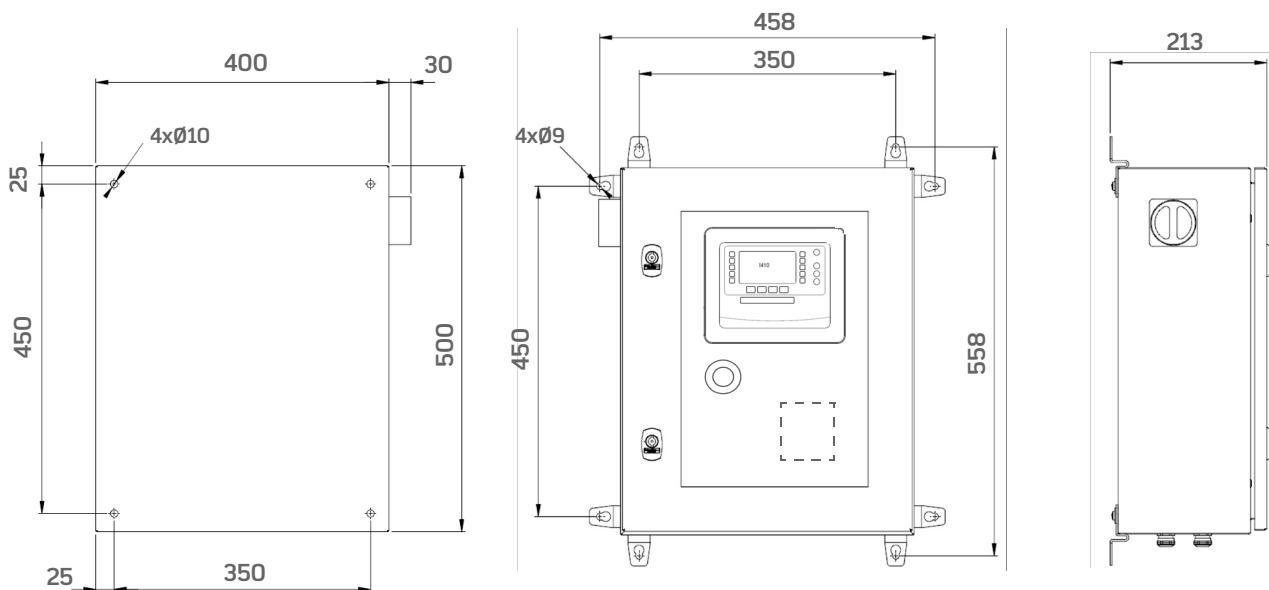
## Dimensions

The cabinet can be fitted using the four supplied swivelling fastening legs, or using the four holes inside the cabinet (dimensions in mm).

### Mild steel cabinet



### Stainless steel cabinet



## Options & Accessories

<ul style="list-style-type: none"> <li>• P 140 printer</li> </ul>	<ul style="list-style-type: none"> <li>• I 410 G coupler</li> </ul>	<ul style="list-style-type: none"> <li>• CAN Bus remote display (8 channels)</li> </ul>	<ul style="list-style-type: none"> <li>• Other peripherals</li> </ul>
<ul style="list-style-type: none"> <li>• Thermal paper</li> <li>• Belt length: 58 mm</li> <li>• Rolls Ø 48mm max. (lgth: 25 m approx.)</li> </ul>	<ul style="list-style-type: none"> <li>▼ Field bus:                             <ul style="list-style-type: none"> <li>• Profibus DP,</li> <li>• DeviceNet,</li> <li>• Ethernet Modbus-TCP,</li> <li>• EtherNet /IP,</li> <li>• ProfiNet,</li> <li>• Modbus RTU.</li> </ul> </li> </ul>	<ul style="list-style-type: none"> <li>• Mounting on DIN Rail</li> <li>• Housing mounting</li> </ul>	<ul style="list-style-type: none"> <li>▼ Weight/Speed transmitter:                             <ul style="list-style-type: none"> <li>• I400 TC-IO</li> </ul> </li> <li>▼ TON and ANA I/O remote modules:                             <ul style="list-style-type: none"> <li>• CAN Open I/O D (6I / 6O)</li> <li>• CAN Open I/O A (4I / 3O)</li> </ul> </li> </ul>

Your specialist

Illustrations not contractual. Precia-Molen reserves the right to alter the characteristics of the equipment described in this brochure at any time.

**PRECIA-MOLEN Headquarters & Factory**  
 BP 106 - 07000 Privas - France  
 Tel. 33 (0) 475 664 600  
 Fax 33 (0) 475 664 330  
 E-MAIL webmaster@preciamolen.com

RCS: 386 620 165 RCS Aubenas

**PRECIA  
 MOLEN™**  
 WORLDWIDE WEIGHING