

R1 TP

Standing or tabletop model



Presentation

The new R1 TP platform scale is in line with PRECIA MOLEN's recently marketed innovative products: handy and long-lasting, with manufacturing quality combined with design.

Its composite material structure houses a central support point load cell in aluminium, which offers accuracy and reliability.

It can be either standing on the floor or tabletop with its display device fixed to the platform or remote.

With the dimensions of its plate (350*350mm), this scale is a good compromise between size and use.

IP 65 protection level.

Transportable

As it is light-weighted (below 10 Kg) and equipped with an integrated transport handle, it can be easily manipulated.

Shock and overload devices and stops

The load cell of the R1 TP platform scale is protected from impacts by a new bumper system.

The shock bumpers protect the load cell from possible overloads.

The R1 TP with 15kg and 30kg capacities bear a vertical impact on the plate of 50 joules while the R1 TP with 60kg capacity bear an impact of 100 joules and with 150kg capacity an impact of 200 joules (10 joules = 1kg falling from 1 meter).

Measurement cable

The scale is delivered with a 1.5m-long measurement cable.

The load cell cable length surplus can be fitted into the slot designed at this effect underneath the R1 TP platform scale.

Combination with the indicator

The R1 TP platform scales can be used in association with various PRECIA MOLEN range indicators for trade (3000 d or 2 x 3000 d) or non-trade use.

They can be supplied in compact version (indicator fitted to the R1 TP), mounted on column or modular (indicator not fitted to the R1 TP).

European conformity

Compliant with the definition of a classical platform scale according to the WELMEC 2.4 guide.

Range

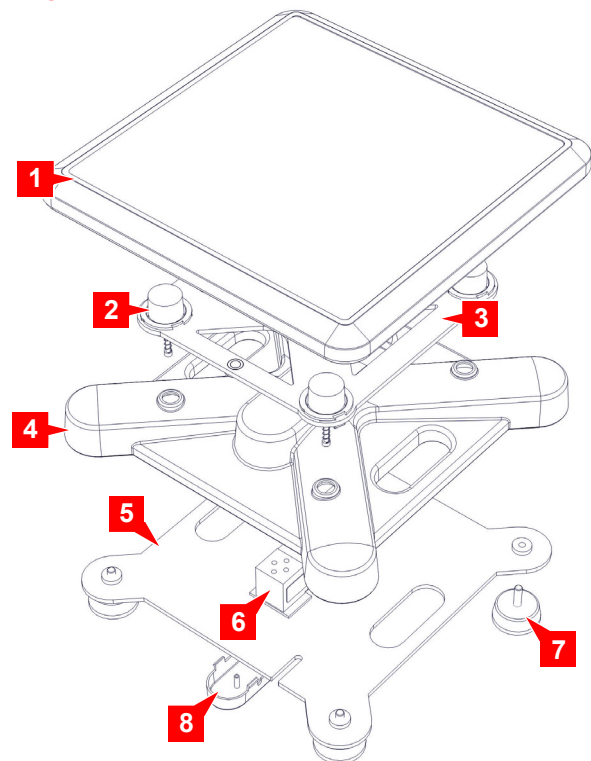
Single-range versions:

Capacity	Division	LT
15 kg	5 g	●
30 kg	1 g	×
30 kg	2 g	×
30 kg	10 g	●
60 kg	2 g	×
60 kg	5 g	×
60 kg	20 g	●
150 kg	5 g	×
150 kg	10 g	×
150 kg	50 g	●

Dual-range versions:

Capacity	Division	LT
15 - 30 kg	5 - 10 g	●
30 - 60 kg	10 - 20 g	●
60 - 150 kg	20 - 50 g	●

Design



- 1. Composite plate + stainless steel sheet
- 2. Shock and overload stops
- 3. Dummy platform
- 4. Carter
- 5. Metal framework
- 6. Load cell
- 7. Adjustable feet
- 8. Fitting space for extra cable

Technical data

Technical data - Single-range version:

Capacity	Division	LT	Load cell		Weight *	Max. derating **	Height (mm)		Feet CtoC distance (mm)
			E max.	V min.			Min	Max	
15 kg	5 g	●	50 kg	5 g	7 kg	25 kg	105	115	290 x 290
30 kg	1 g	×	50 kg	5 g	7 kg	15 kg			
30 kg	2 g	×	50 kg	5 g	7 kg	15 kg			
30 kg	10 g	●	50 kg	5 g	7 kg	15 kg			
60 kg	2 g	×	100 kg	10 g	7 kg	35 kg			
60 kg	5 g	×	100 kg	10 g	7 kg	35 kg			
60 kg	20 g	●	100 kg	10 g	7 kg	35 kg			
150 kg	5 g	×	300 kg	20 g	8.5 kg	140 kg			
150 kg	10 g	×	300 kg	20 g	8.5 kg	140 kg			
150 kg	50 g	●	300 kg	20 g	8.5 kg	140 kg			

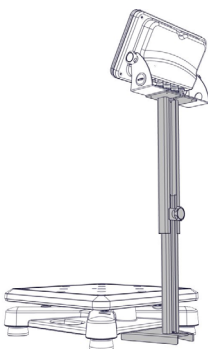
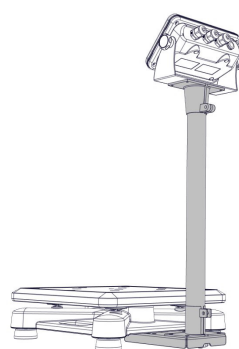
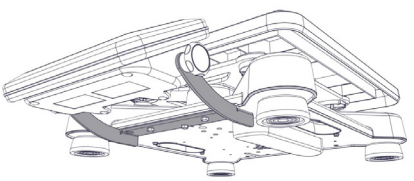
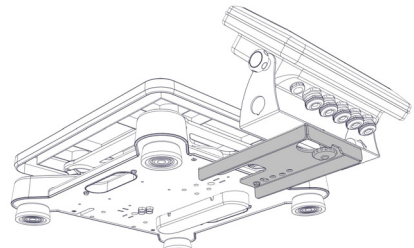
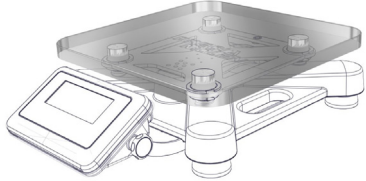
Technical data - Dual-range version:

Capacity	Division	LT	Load cell		Weight *	Max. derating **	Height (mm)		Feet CtoC distance (mm)
			E max.	V min.			Min	Max	
15 - 30 kg	5 - 10 g	●	50 kg	5 g	7 kg	15 kg	105	115	290 x 290
30 - 60 kg	10 - 20 g	●	100 kg	10 g	7 kg	35 kg			
60 - 150 kg	20 - 50 g	●	300 kg	20 g	8.5 kg	140 kg			

*: Without options

** : Without optional transparent plate (see options)

Options

<p>Adjustable painted column</p>  <p>Adjustable column height (270mm to 500mm)</p>	<p>Stainless steel column</p>  <p>Column height: 240mm, 390mm, 500mm or 525mm</p>	
<p>i5 compact support</p> 	<p>i range compact support (i20, i25, etc...)</p> 	<p>Transparent plate</p>  <p>Extra weight + 1.6 kg</p>

Your specialist

Non contractual illustrations. Precia-Molen reserves the right to modify at any time the characteristics of the equipment described in this brochure.

PRECIA-MOLEN Headquarters & Factory
 BP 106 - 07000 Privas - France
 Tel. 33 (0) 475 664 600
 Fax 33 (0) 475 664 330
 E-MAIL webmaster@preciamolen.com

RCS: 386 620 165 RCS Aubenas

**PRECIA
MOLEN™**
WORLDWIDE WEIGHING